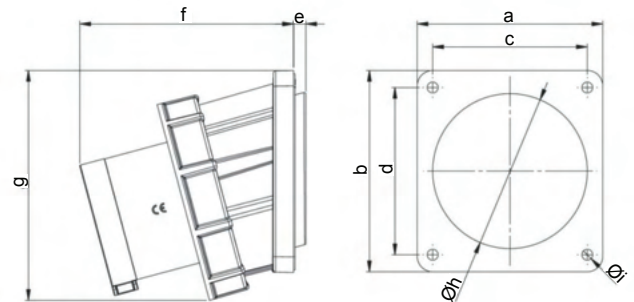


|                        |   |
|------------------------|---|
| article#               | <b>A745-7</b>   |
| article description    | <b>CEE-flanged plug sloping 125A 5p 7h IP67 POWER TWIST</b>   |
| description long       | CEE-flanged plug sloping 125A 5p 7h IP67 POWER TWIST<br>housing material: PA6<br>rated current: 125A<br>number of poles: 5 (3P+N+PE)<br>clock-position: 7h<br>rated voltage/frequency: 277/480V~ - 288/500V~ / 50+60Hz<br>contacts: brass nickel plated, with pilot pin<br>connection technology: frame terminals with screws<br>dimensions (flange/fixing center): 120x130 mm / 100x108 mm<br>IP protection class: IP66/IP67 |
| GTIN (EAN)             | 9003399212642   |
| country of origin      | AT  |
| customs number         | 85366990  |
| net weight             | 1.044 kg  |
| packaging quantity     | 2   |
| minimum order quantity | 2   |



|                                 |                        |
|---------------------------------|------------------------|
| ETIM 9.0                        | EC001319               |
| IEC-amperage                    | 125 A                  |
| Voltage according to EN 60309-2 | 500 V (50+60 Hz) black |
| Number of poles                 | 5                      |
| Clock hour position             | 7 h                    |
| Identification colour           | Black                  |
| Degree of protection (IP)       | IP67                   |
| Connection system               | Screwed terminal       |
| Construction type               | Built-up device plug   |
| Phase inverter                  | False                  |
| Angle of plug                   | Angled                 |
| Material                        | Plastic                |
| Contact material                | CuZn                   |
| Surface treatment contacts      | Nickel-plated          |



|                        |                       |
|------------------------|-----------------------|
| a                      | 120 mm                |
| b                      | 130 mm                |
| c                      | 100 mm                |
| d                      | 108 mm                |
| e                      | 8 mm                  |
| f                      | 139 mm                |
| g                      | 145 mm                |
| h                      | 100 mm                |
| i                      | 7 mm                  |
| wire flexible          | 16-50 mm <sup>2</sup> |
| wire solid             | 16-70 mm <sup>2</sup> |
| contact screws         | 450 Ncm               |
| connecting screws      | 200 Ncm               |
| dismantling length     | 100 mm                |
| stripping length       | 24-27 mm              |
| ambient temperature    | -25 – 40 °C           |
| temperature resistance | -25 – 80 °C           |

